

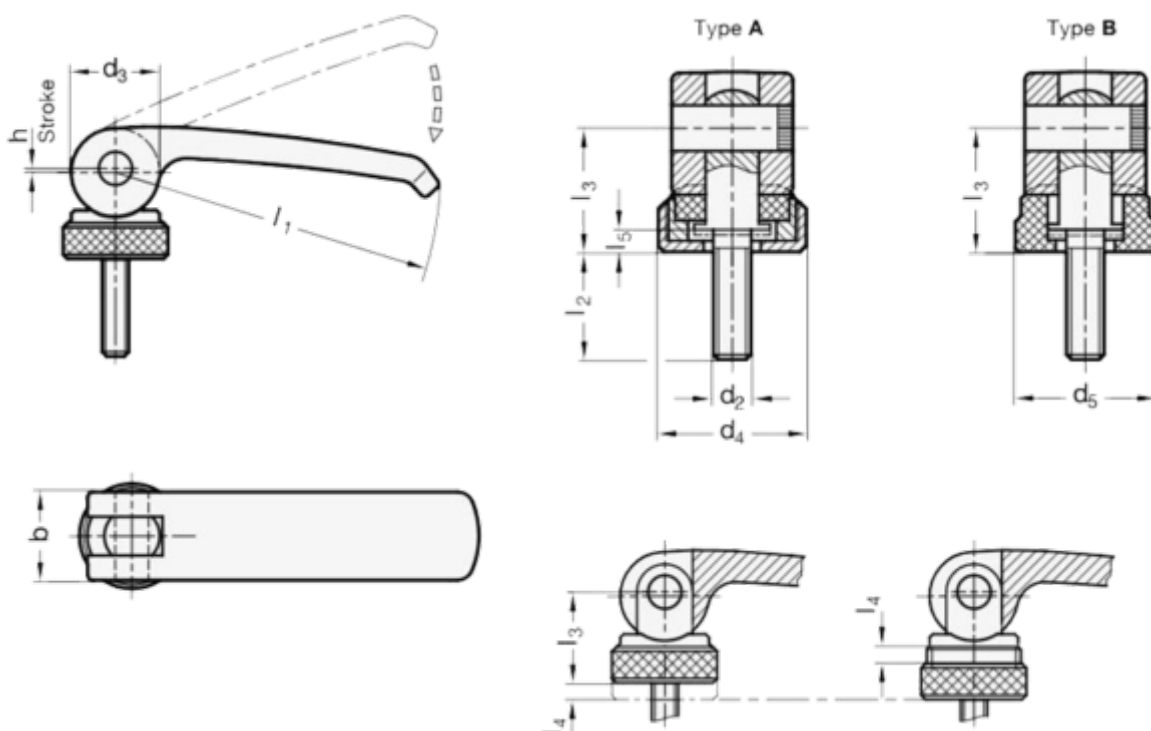
Data Sheet



Article number: 20927363M535B

Description: E+G Clamping lever GN 927.3-63-M5-35-B
Male thread

Measures



b = 16
d2 = M5
d4 =
d5 = 18.5
l1 = 63
l2 = 35